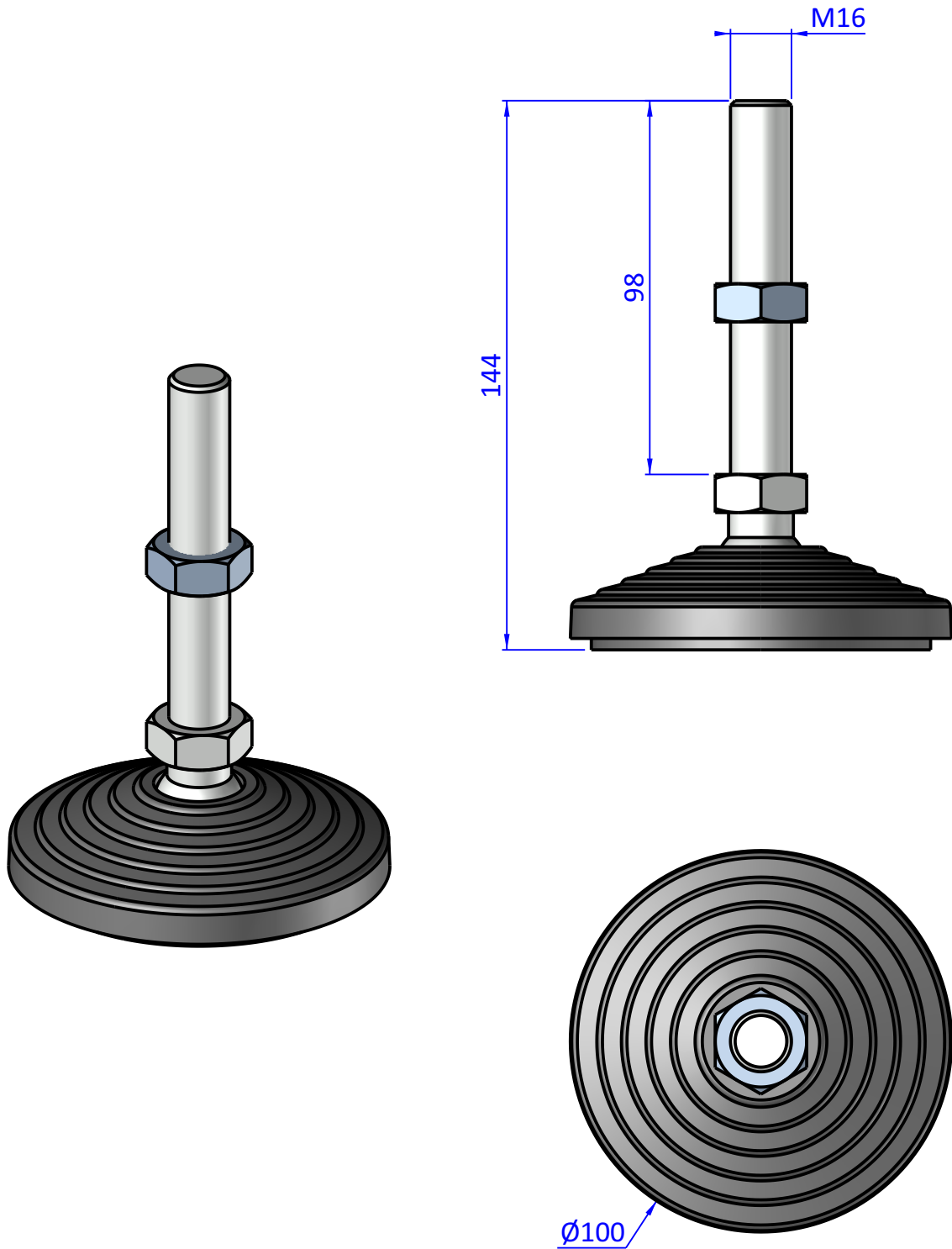

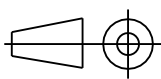


THE PROPERTY OF THE DRAWING IS ESTABLISHED BY LAW. IT IS FORBIDDEN TO PRODUCE OR SHOW IT TO THIRD PART. WITHOUT A WRITTEN AGREEMENT.



|                         |  |  |  |                                 |                         |                   |
|-------------------------|--|--|--|---------------------------------|-------------------------|-------------------|
| Format A4<br>UNI 936-76 | <br>FPS SERVICES AUTOMATION |  |  | DESIGNED FROM<br>FPS Automation |                         | REVIEW<br>A       |
|                         | GENERAL TOLERANCE<br>UNI - ISO 2768<br>CLASSE f  |  |  | DESCRIPTION<br>PRO.084.402.005  | DATE<br>24/03/2026      | WEIGHT<br>0,395kg |
|                         |  |  |  |                                 | CODE<br>PRO.084.402.005 |                   |